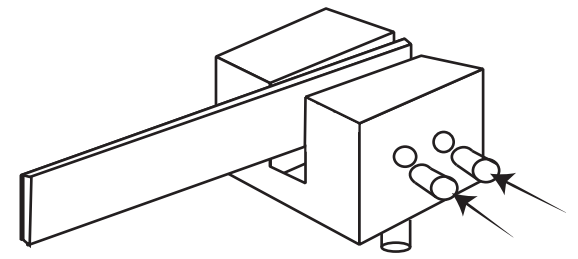


Clapper

Clapper Holder

1 Place Clapper in slot of Clapper Holder, Align holes.

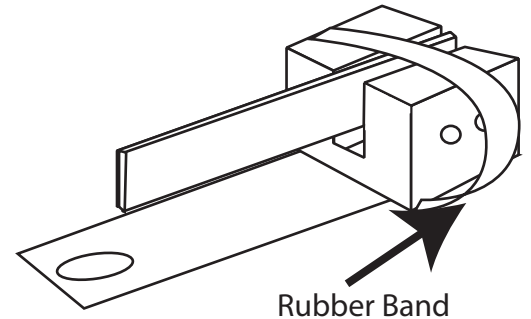


2 Insert two Clapper Pins into the Clapper holder, Push pins all the way thru the Clapper Holder to secure the Clapper.

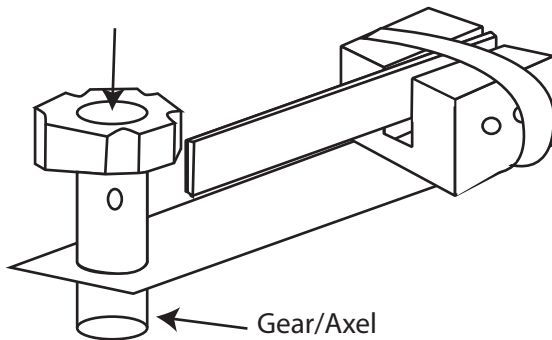
Glue Drops

Body

3 Place a Small amount of Glue on the Holes of the Body then, place the pegs on the bottom of the Clapper Holder into the holes.



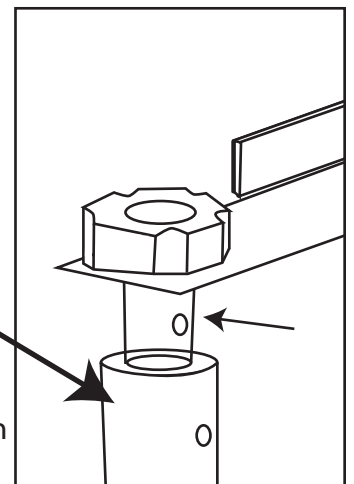
4 Place the Rubber Band around the Clapper Holder and body to secure them until the glue dries



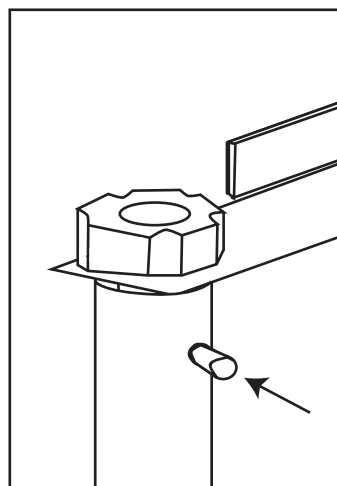
5 Place Gear/Axel through the remain hole in the body.

Handle

6 Align hole in Axel with hole in Handle.



7 Insert Handle pin through the hole in both the Handle and Axel



Your Grogger is now Complete!

Safety Warning: Be careful not to swing the Grogger to close to yourself and other people!

Note your Grogger may be a little stiff when you first try it the more you use it the easier it will be